

# DOUBLE SCREW PRESS





DETAIL OF ONE OF THE TWO SHAFTS



DETAIL OF ONE OF THE TWO SHAFTS

The double screw press is used in order to separate water and fat from the preheated solid material.

It separates efficiently until to 70% of the water and 90% of the fat of composition of the material mechanically.

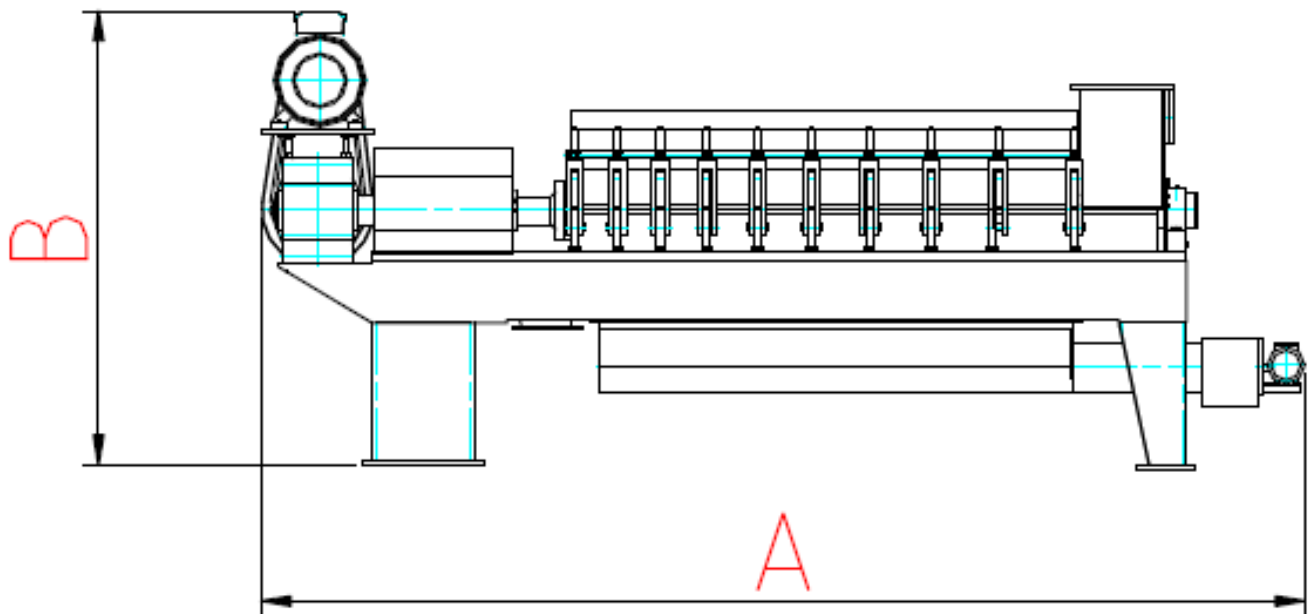
Trees with bringing back satellite antiusury in.

Everyone of the two shafts of the press have a screw with pitch and nucleus variable.

The two screws rotate in opposite directions.



The press cage is built up in sections and each section consists of finely perforated stainless steel strainer plates supported by heavy steel strengthening plates with larger holes. The press is encased by stainless steel covers with easily detachable doors for inspection of the strainer cage.



TYPE	FISH MEAL		MEAT AND BONE		DIMENSIONS MT.			WEIGHT TON
	CAPACITY TON/H	POWER KW	CAPACITY TON/H	POWER KW	A	B	C	
BP 20	2,5-3,8	5,5-7,5	1,6-2,5	7,5-11	2,4	1,3	0,9	2,4
BP 30	3,6-5,4	7,5-11	2,4-3,5	11-15	3,4	1,4	0,9	4,5
BP 40	8-12	18,5-22	5-8	30-37	4,7	1,9	1,4	8,5
BP 50	12-18	22-37	8-12	37-55	5,6	2,1	1,6	13,5