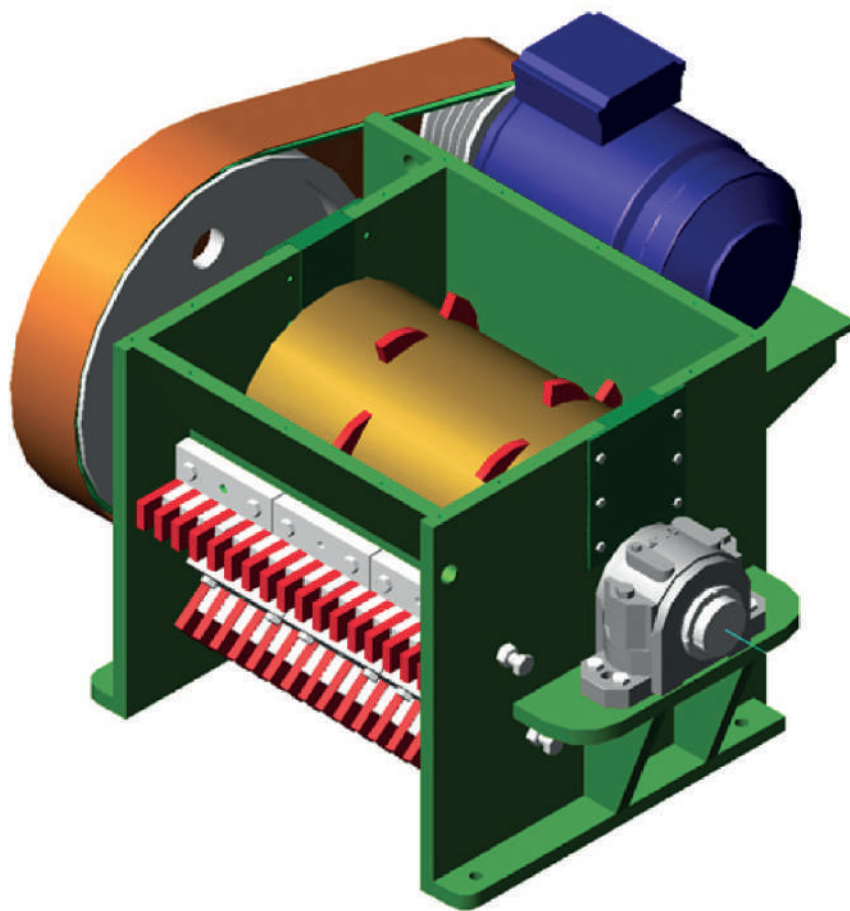


CRUSHER FOR BONES AND OFFALS TYPE MF



The crusher is generally placed in the system to process slaughtering waste.
The main function of the crusher is to grind bones, offal, fat etc., into tiny pieces so that as much surface as possible will be exposed to the heating action during the cooking process.
The crusher can grind a complete pig with a weight of 200 Kg.

The structure is in electro welded steel specially designed for better adaptability and preciseness in mechanical manufacturing.

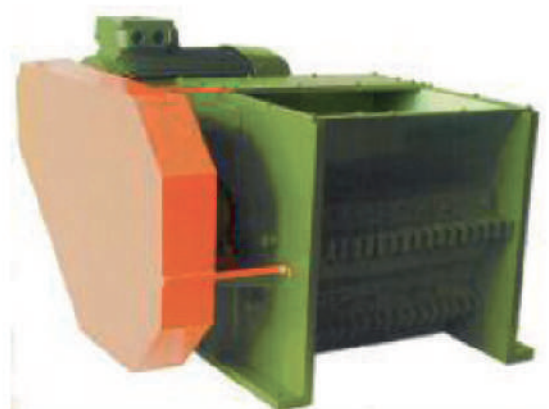
The rotor is in treated steel supported on special steel shaft.

The supports are in high quality steel with radial roller bearings.

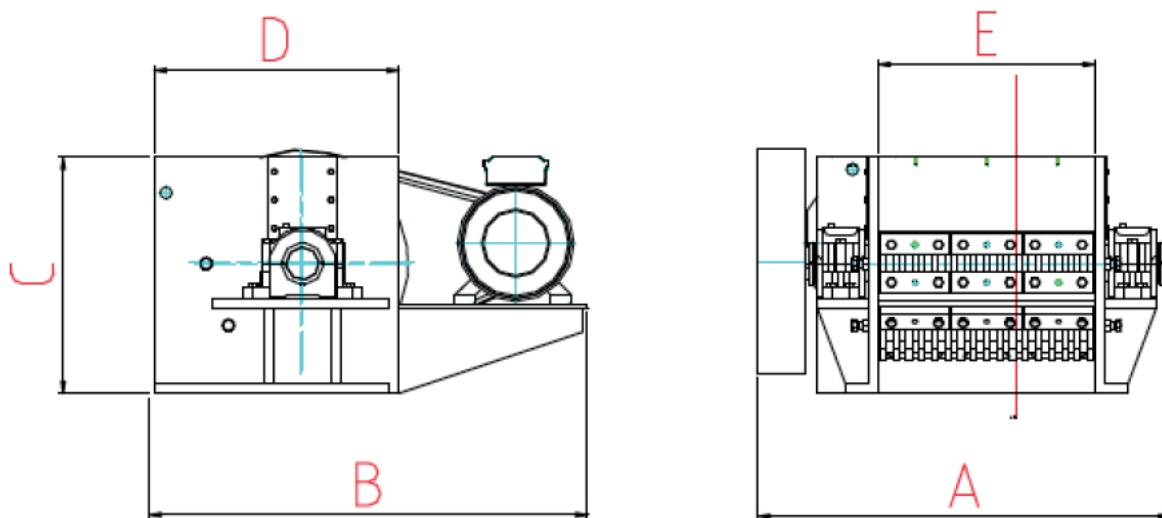
The rotating hammers and the fixed ones are in special thermically treated steel and are easily replaceable.

The steel fly wheel is suitable for the trapezoidal conveying belts.

It is dynamically balanced after assembly with the motor.







| CRUSHER TYPE | DIMENSIONS mm. | | | | | PRODUCTION AT INLET TON/H | POWER KW | WEIGHT KG |
|-----------------|-------------------|-------|-------|-------|-------|---------------------------------|-------------|--------------|
| | A | B | C | D | E | | | |
| MF 40 | 1.750 | 1.610 | 950 | 710 | 710 | 3 - 7 | 30 | 2.100 |
| MF 60 | 1.750 | 1.710 | 1.230 | 1.000 | 1.000 | 9 - 15 | 45 | 4.800 |
| MF 100 | 1.750 | 1.830 | 1.310 | 1.000 | 1.000 | 18 - 22 | 75 | 5.050 |

